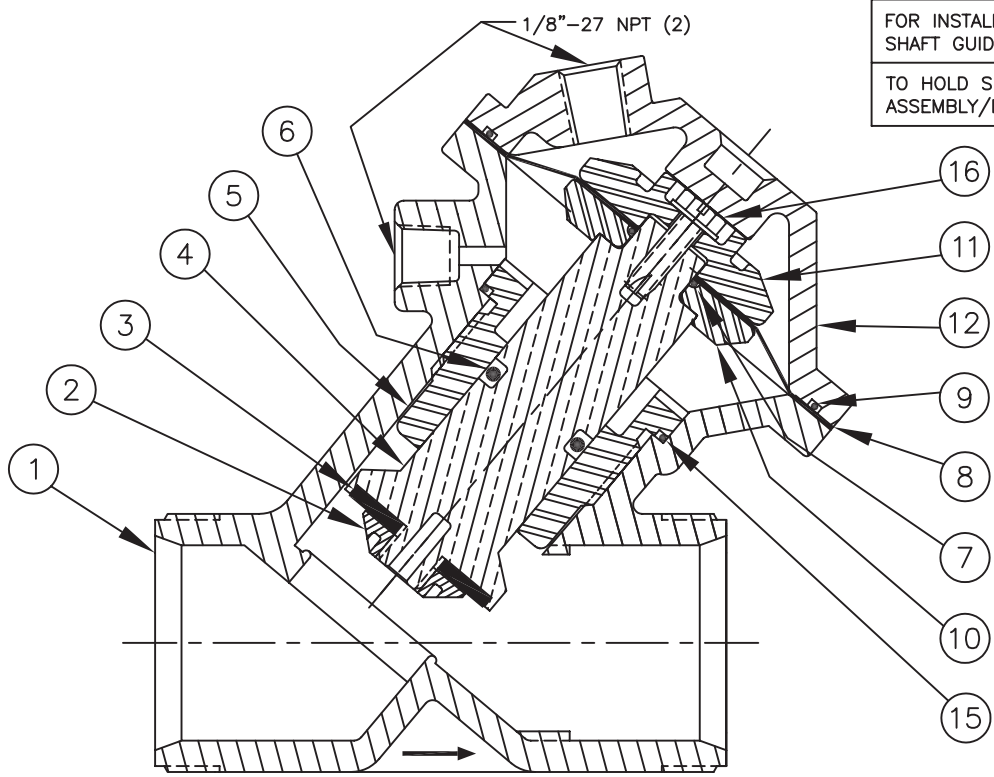


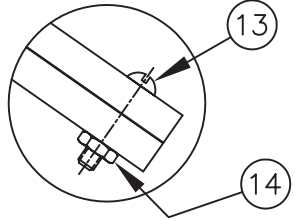
| REPAIR PARTS KITS   |                        |                    |
|---|------------------------|--------------------|
| DESCRIPTION   | PART NO.               |                    |
| DIAPHRAGM & SEALS KIT<br>CONSISTS OF ITEM NO'S<br>3,6,7,8,9,15            | 1081792 (521-RAN)      | 1081791 (521-RAN)  |
|   | E.P.D.M. BUTYL         |                    |
|   | INCLUDES DIAPHRAGM     |                    |
|   | 1075028 (521-FB)       | 1075028 (521-FB)   |
| INT. PARTS KIT<br>(NORM. OPEN)<br>CONSISTS OF ITEM<br>NO'S 2,4,5,10,11,16 | 1081796 (521-RAWN)     | 1081795 (521-RAWN) |
|   | FKM INCLUDES DIAPHRAGM |                    |
|   | 1075028 (521-FB)       | 1075029 (521-FV)   |

| ASSEMBLY TOOLS   |                 |
|--|-----------------|
| DESCRIPTION  | PART NO.        |
| FOR INSTALLATION & REMOVAL OF<br>SHAFT GUIDE (ITEM #5) | 1075059 (521-Z) |
| TO HOLD SHAFT (ITEM #4) DURING<br>ASSEMBLY/DISASSEMBLY | 1077837         |

| NO. | DESCRIPTION         | PART NO.           | QTY.              |
|-----|---------------------|--------------------|-------------------|
| 1   | BODY                | 1075007 (521-AK)   | 1                 |
| 2   | DISC PLATE NUT      | 1075845            | 1                 |
| 3   | DISC                | E.P.D.M.           | 1077814           |
|     |                     | BUTYL              | 1077815           |
|     |                     | FKM                | 1077816           |
| 4   | SHAFT               | 1075842            | 1                 |
| 5   | SHAFT GUIDE (NORYL) | 1075030 (521-GN)   | 1                 |
| 6   | O-RING              | E.P.D.M.           | 1242717 (ORJ-208) |
|     |                     | BUTYL              | 1071775 (ORJ-208) |
|     |                     | FKM                | 1242393 (ORJ-208) |
| 7   | O-RING              | E.P.D.M.           | 1071718 (ORE-014) |
| 8   | DIAPH.              | BUNA N             | 1075028 (521-FB)  |
|     |                     | FKM                | 1075029 (521-FV)  |
| 9   | O-RING              | BUNA N             | 1071715 (ORB-805) |
| 10  | LWR DIAPH. PLATE    | 1075844            | 1                 |
| 11  | UPR DIAPH. PLATE    | 1075843            | 1                 |
| 12  | CAP                 | 1075012 (521-BOK)  | 1                 |
| 13  | RD. HD. MACH. SCR.  | 1072380 (SCS-0095) | 8                 |
| 14  | HEX NUT             | 1071648 (NUS-0006) | 8                 |
| 15  | QUAD-RING           | ETH. PROP.         | 1071942 (QRE-029) |
|     |                     | BUTYL              | 1071943 (QRJ-029) |
|     |                     | FKM                | 1071944 (QRV-029) |
| 16  | SCREW               | 1077783            | 1                 |



UPDATED O-RING P/N'S 1635



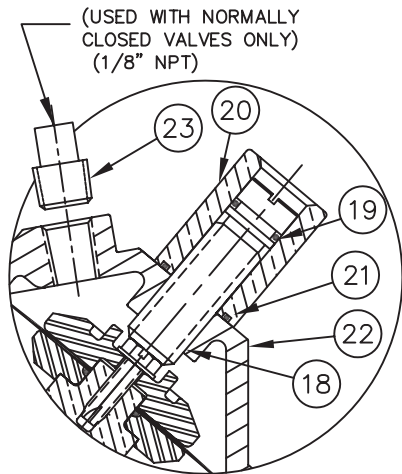
SEE FORM 1078142 FOR UNION END CONNECTORS AND GROOVED ADAPTORS

SEE REVERSE SIDE FOR CONFIGURATION OPTIONS

1070154 (K521-X200-14000)  
**NORMALLY OPEN (STANDARD)**

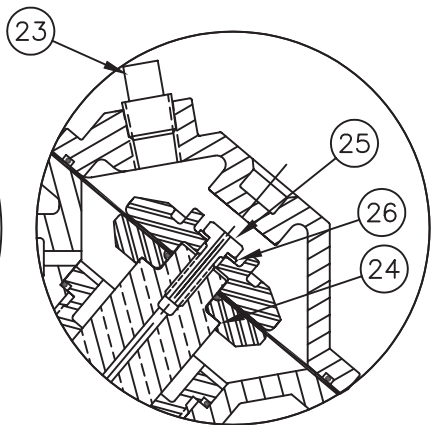
FORM NO. 1077654

|   |                      |  |         |             |         |
|---|----------------------|--|---------|-------------|---------|
| F   | UPDATED O-RING P/N'S | 1635   | MSM     | 12JAN06     |         |
| REV   | DESCRIPTION          | ECO  | DWN     | DATE        | APVD    |
| <i>AQmatic</i>  |                      | 16605 West Victor Rd<br>New Berlin, WI 53151<br>262-326-0100<br>www.aq-matic.com |         |             |         |
| <b>SERIES 521 DIAPHRAGM VALVE</b><br><b>3/4" &amp; 1" PIPE SIZE</b> |                      |  |         |             |         |
| DRAWN   | JWB                  | DATE   | 25Apr01 | DRAWING NO. | 1084003 |



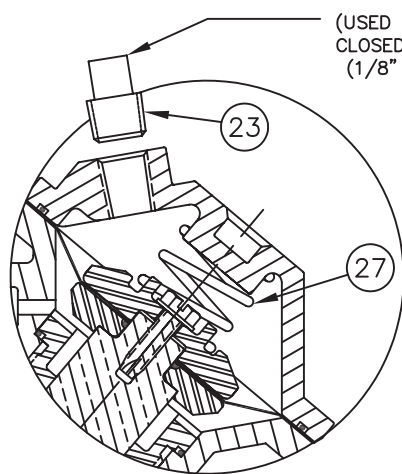
1070155 (K521-X210-14000)

**LIMIT STOP**



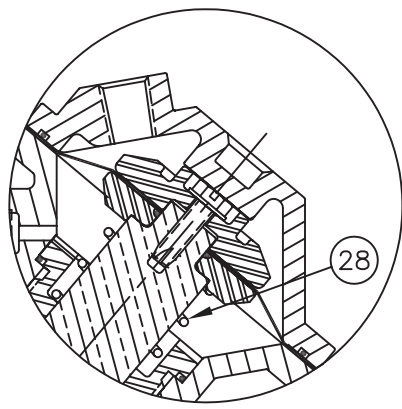
1070159 (K521-X230-14000)

**NORMALLY CLOSED**



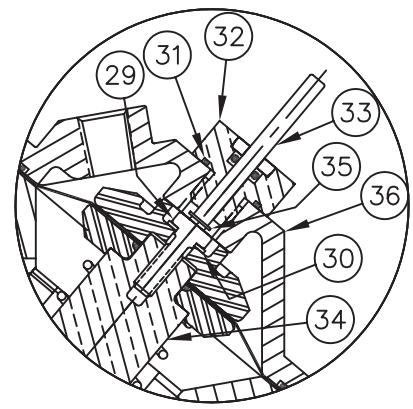
1070157 (K521-X202-14000)

**SPRING ASSIST CLOSED**



1070158 (K521-X201-14000)

**SPRING ASSIST OPEN**



1071143 (K521-X221-14000)

**POSITION INDICATOR**

| NO.                               | DESCRIPTION            | PART NO.           | QTY. |
|-----------------------------------|------------------------|--------------------|------|
| <b>LIMIT STOP MODEL</b>           |                        |                    |      |
| 18                                | ADJUSTING SCREW        | 1075058 (521-Y)    | 1    |
| 19                                | O-RING [BUNA N]        | 1071668 (ORB-012)  | 1    |
| 20                                | LIMIT STOP HOUSING     | 1075057 (521-X)    | 1    |
| 21                                | O-RING [BUNA N]        | 1071671 (ORB-016)  | 1    |
| 22                                | CAP                    | 1075010 (521-BBOK) | 1    |
| <b>NORMALLY CLOSED MODEL</b>      |                        |                    |      |
| 23                                | PIPE PLUG (1/8" NPT)   | 1071912 (PLP-0006) | 1    |
| 24                                | SHAFT (N.C.)           | 1077909            | 1    |
| 25                                | SCREW                  | 1077830            | 1    |
| 26                                | LOCKWASHER (NO. 10)    | 1078992            | 1    |
| <b>SPRING ASSIST CLOSED MODEL</b> |                        |                    |      |
| 27                                | SPRING (ASSIST CLOSED) | 1075051 (521-S)    | 1    |
| <b>SPRING ASSIST OPEN MODEL</b>   |                        |                    |      |
| 28                                | SPRING (ASSIST OPEN)   | 1236766            | 1    |
| <b>POSITION INDICATOR MODEL</b>   |                        |                    |      |
| 29                                | SCREW                  | 1077832            | 1    |
| 30                                | LOCKWASHER (NO. 10)    | 1078992            | 1    |
| 31                                | O-RING [BUNA N]        | 1071671 (ORB-016)  | 1    |
| 32                                | GUIDE HOUSING ASSY     | 1075037 (521-KA)   | 1    |
| 33                                | INDICATOR SHAFT        | 1078062            | 1    |
| 34                                | SHAFT                  | 1077911            | 1    |
| 35                                | RETAINING RING         | 1076200            | 1    |
| 36                                | CAP                    | 1075010 (521-BBOK) | 1    |

NOTE:

1. POSITION INDICATOR MODEL CANNOT BE COMBINED WITH NORMALLY CLOSED OR LIMIT STOP OPTIONS.
2. POSITION INDICATOR MODEL FURNISHED WITH SPRING ASSIST OPEN OPTION.


SEE FORM 1078142 FOR UNION END CONNECTORS AND GROOVED ADAPTORS

SEE SHEET K521-1F FOR STANDARD NORMALLY OPEN MODEL

FORM NO. 1077654

| <b>CONVERSION KITS</b>  |                     |
|---|---------------------|
| DESCRIPTION   | PART NO.            |
| CONVERSION KIT (LIMIT STOP)<br>CONSISTS OF ITEM NO'S 18 THRU 22         | 1071090 (K521-LSC)  |
| CONVERSION KIT (SPRING ASSIST CLOSED)<br>CONSISTS OF ITEM NO. 27        | 1075054 (521-SC)    |
| CONVERSION KIT (SPRING ASSIST OPEN)<br>CONSISTS OF ITEM NO. 28          | 1075055 (521-SO)    |
| CONVERSION KIT (POSITION INDICATOR)<br>CONSISTS OF ITEM NO'S 29 THRU 36 | 1079620 (K521-PICN) |

| <b>REPAIR PARTS KITS</b>  |                    |
|---|--------------------|
| DESCRIPTION   | PART NO.           |
| INT. PARTS KIT (LIMIT STOP)<br>CONSISTS OF ITEM NO'S 18 THRU 21           | 1075040 (521-LS)   |
| INT. PARTS KIT (NORM. CLOSED)<br>CONSISTS OF ITEM NO'S 2,5,10,11,24,25,26 | 1079622 (K521-RGN) |
| INT. PARTS KIT (SPRING ASSIST CLOSED)<br>CONSISTS OF ITEM NO. 27          | 1075054 (521-SC)   |
| INT. PARTS KIT (SPRING ASSIST OPEN)<br>CONSISTS OF ITEM NO. 28            | 1075055 (521-SO)   |
| INT. PARTS KIT (POSITION INDICATOR)<br>CONSISTS OF ITEM NO'S 29 THRU 35   | 1081790 (521-PIN)  |

|   |                      |  |         |             |         |
|---|----------------------|--|---------|-------------|---------|
| <b>F</b>  | UPDATED O-RING P/N'S | 1635   | MSM     | 12JAN06     |         |
| REV   | DESCRIPTION          | ECO  | DWN     | DATE        | APVD    |
|  |                      | 16605 West Victor Rd<br>New Berlin, WI 53151<br>262-326-0100<br>www.aq-matic.com |         |             |         |
| <b>SERIES 521 DIAPHRAGM VALVE<br/>OPTIONAL MODELS</b>                                 |                      |  |         |             |         |
| DRAWN   | JWB                  | DATE   | 25Apr01 | DRAWING NO. | 1084003 |